

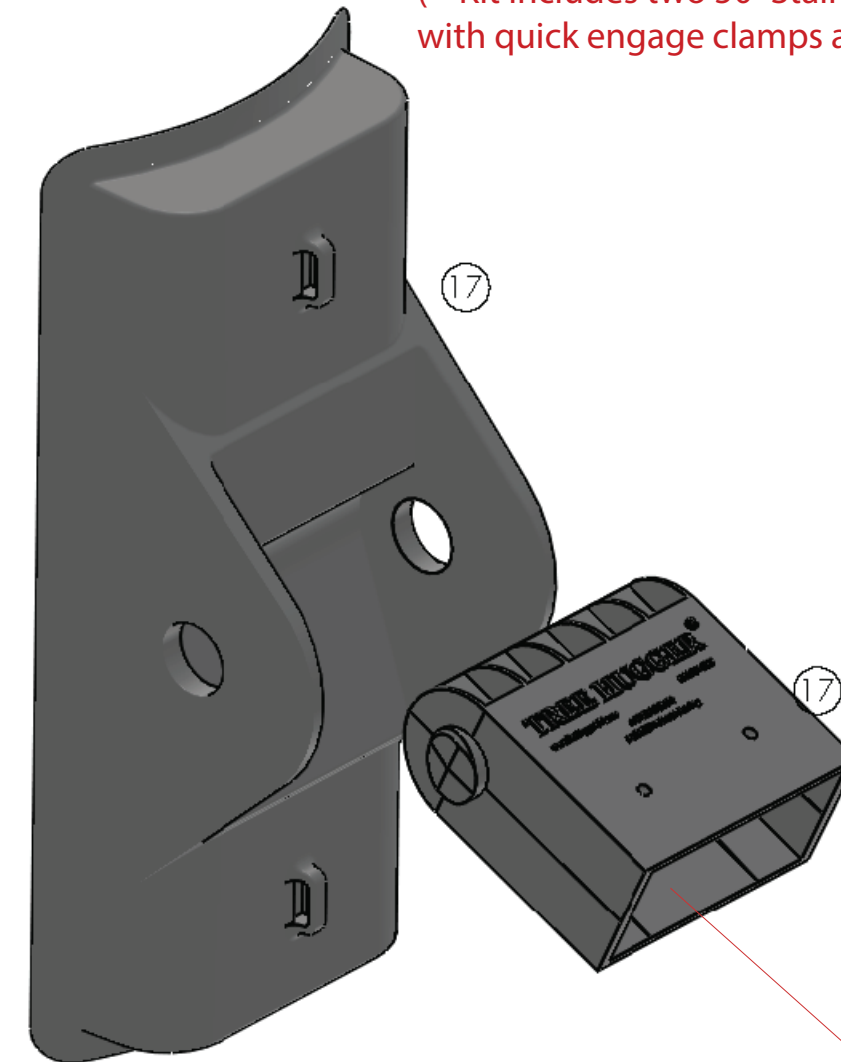
SECTION B-B

# #TB324AD

## 2 x 4 Adjustable TREE BRACE™

\*(SKU consist of quantity 3 x Tree Brace in each kit)

(\*\*Kit includes two 50" Stainless Steel bands with quick engage clamps and tree cushion squares\*\*)



Fits standard 2 x 4  
adjustable from 20° to 160°



# TREE HUGGER®

Material: Polypropylene

Made in the USA

Created By:

Tree Hugger Solutions, LLC

954-719-TREE(8733)

Info@TreeHuggerUSA.com